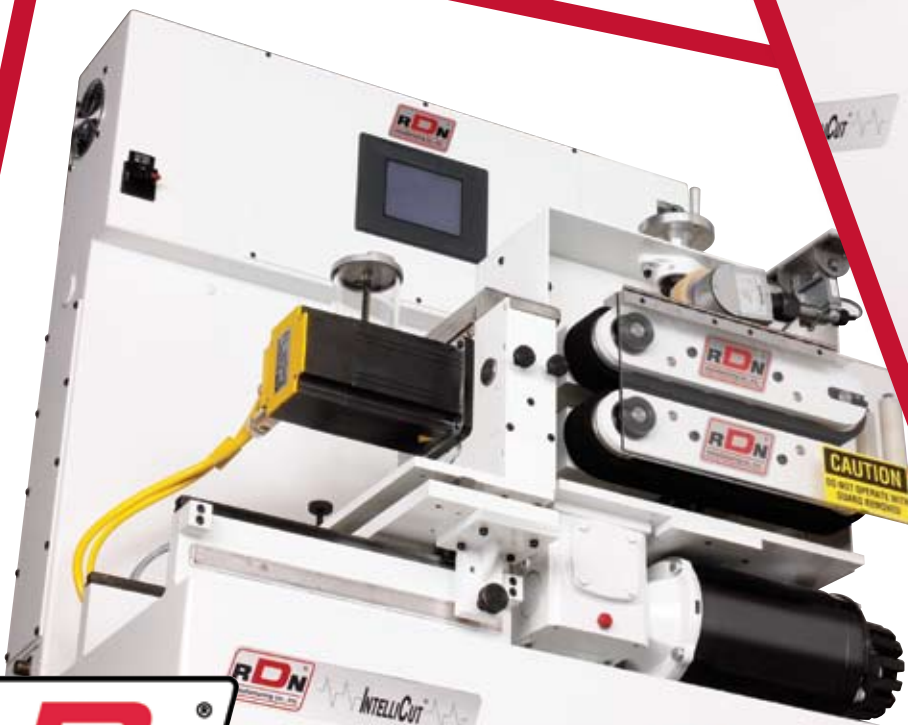


# PULLER / CUTTERS

- FOR SMALL TUBING AND PROFILES
- SERVO-DRIVEN PULLER AND CUTTER
- BOOST PRODUCTIVITY
- NEW, ADVANCED TOUCHSCREEN CONTROL
- STRAIGHT TUBE OR TAPER TUBE
- FAST RETURN ON INVESTMENT

INTELLICUT®  
INTELLIPULL®



Increased Productivity Starts Here

# PULLER / CUTTERS



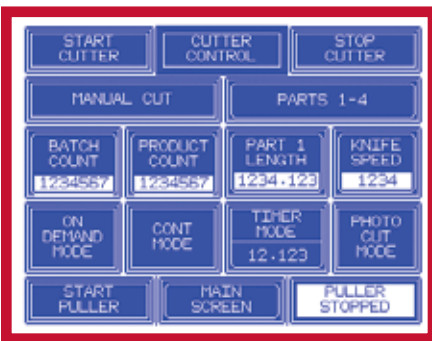
On both models, the cutter moves laterally for easy string-up.



The IC-5 cutter can be moved to either side of the belt, potentially increasing belt life dramatically, and out of the way for coiling.



Servo gearbox reduces backlash and increases efficiency.



The Intellicut's State-of-the-art, microprocessor-driven screen has clearly defined "buttons" for fast, easy set up.

## Boost Productivity of Small Tubing and Profile Applications

RDN's INTELLICUT® Puller-Cutter IC-.25, IC-.5 and IC-1 are designed for high speed, automatic straight tube cutting. Exclusive features maximize uptime and precision. Both offer the innovative Taper Tubing System that produces the unique multi diameter tubing that reduces cost, enhances fluid flow and offers higher reliability and cleanliness.

## Small machine footprint is ideal for medical cleanroom environments.

## Direct Drive Servo Technology Virtually Eliminates Downtime and Reduces Scrap

With the servo-driven cutter, the INTELLICUT® Puller-Cutter requires very little maintenance and offers greatly improved machine life. Cut length control is provided by precise control of motor speed through electronic camming. Repeat accuracy and zero backlash insure close tolerance cutting in the continuous or on-demand mode. AC Vector drive is standard on IC-1. The Servo puller motor and gear box are standard on Pullers for the IC-.25, IC-.5 and both TT-.25, TT-.5 and TT-1 models and optional for the IC-1.

## Durable, Single Control Interface For Simple Puller and Cutter Setup

Setup couldn't be easier and simpler. The single control saves time and eliminates complexity. Programmed outputs are included for control of auxiliary equipment.

# Taper Tubing System Lowers Costs and Improves Reliability

The key to its production is the Puller-Cutter's precise control of acceleration and deceleration that provides close tolerances and identical transitions, with cutting in the exact center of the large and small diameter sections.

## Version 6.0 Features

Windows XP - Pro Operating System Advanced Mode Capabilities  
15" Full Color Screen

## Advanced Mode

Control Modifications to allow independent adjustment of the puller speed changes and analog signal outputs. Control modifications to allow bump/taper with multiple diameters. Up to 200 points programmable velocity.

## Servo Gearbox

Reduces Backlash  
Increases Efficiency  
Better cut length tolerances

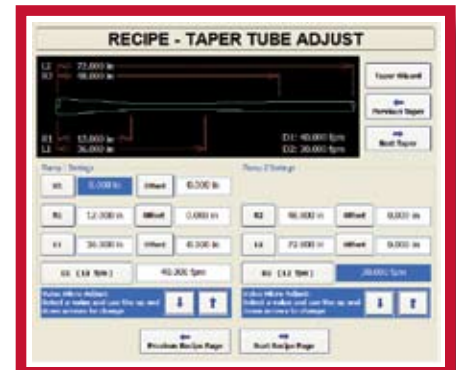
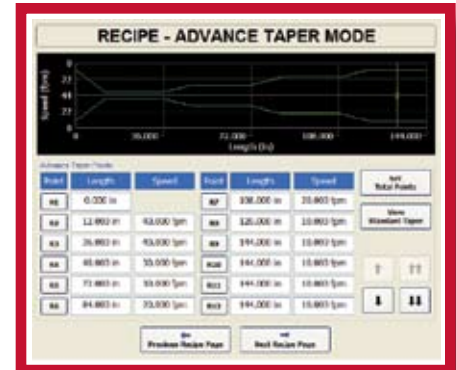
Standard on TT-.25, TT-.5, TT-1, IC-.25, IC-.5  
Optional on IC-1 Model

## Friendly Touchscreen

Our operator interface is the easiest-to-use in the industry and gives operators tangible and visual confirmation of input. Screens "feel comfortable" to operators.

## Height Adjusting Casters

New height adjusting non-marking casters, allow you to align the machine with the centerline and move it quickly In and out of the extrusion line, without marking the floors.



The Taper Tube Control, a powerful computer, has a color touchscreen that displays tube design and parameters, and real-time process status.



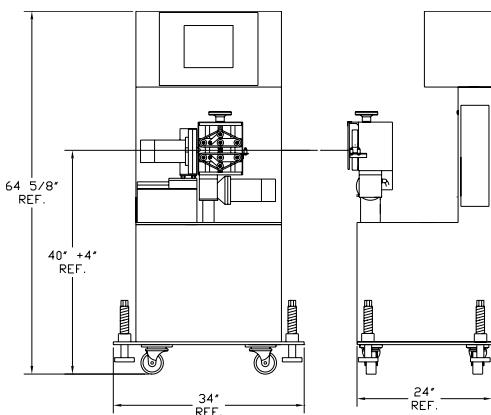
Height adjusting casters are standard on all models.

# SPECIFICATIONS

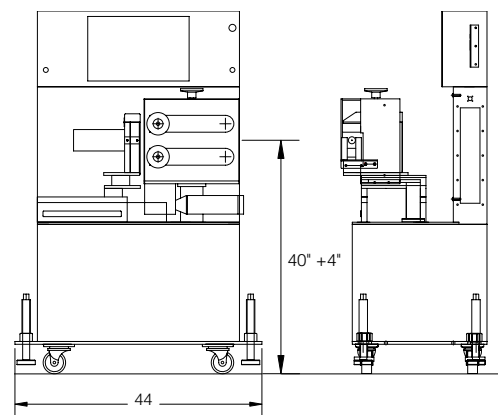
INTELLICUT® MODEL	IC-.25/206-1 TT-.25/206-1	IC-.5/206-1 TT-.5/206-1	IC-1/212-2 TT-1/212-2
Cut Capacity	0-1/4" or Equivalent Profile	0-1/2" or Equivalent Profile	0-1" or Equivalent Profile
Bushing Diameter	3/8" O.D.	3/4" O.D.	1 1/2" O.D.
Max. Cuts Per Min. On-Demand	1000	1000	1000
Max Cuts Per Min. Continuous	1 Blade - 1000 2 Blades - 2000	1 Blade - 1000 2 Blades - 2000	1 Blade - 1000 2 Blades - 2000
Belt Drive	AC Servo Motor & Drive	AC Servo Motor & Drive	TT-1: AC Vector Motor & Drive IC-1: Optional Servo Drive
Belt Height	42" +/- 2"	42" +/- 2"	42" +/- 2"
Belt Contact Length	6"	6"	12"
Belt Width	1/2"	1"	2"
Belt Type	Poly-"V"	Poly-"V"	Poly-"V"
Typical Belt Speed	1-50, 2-100, 4-200, 8-400	1-50, 2-100, 4-200, 8-400	1-50, 2-100, 4-200, 8-400
Power Supply	208-230/1/60 Optional 460v Optional 50hZ	208-230/1/60 Optional 460v Optional 50hZ	208-230/1/60 Optional 460v 50hZ
Weight	1000	1150	1200

## A wide variety of options are available.

Specifications subject to change without notice.



IC-.25/206-1  
TT-.25/206-1  
IC-.5/206-1  
TT-.5/206-1



IC-1/212-2  
TT-1/212-2



160 Covington Drive  
Bloomington, IL 60108  
PHONE: 630-893-4500  
FAX: 630-893-5010  
www.rdnmfg.com